

OIL LEVEL INDICATOR

MODEL : OLI-VI-25-PC

1.0 APPLICATION :

This indicator is suitable for oil filled distribution transformers & oil filled tanks.

2.0 FEATURES :

- Compact design.
- Transparent UV protected cap for clear oil level indication protected with metal cap.
- Brass body with 1 inch threads for mounting & vertical float operation.
- Synthetic float compatible with transformer oil.

3.0 SCOPE:

Indicator continuously reads level inside the conservator or Oil filled tanks.

4.0 CONSTRUCTION & WORKING :

The indicator has forged brass body with built in 1 inch threads for mounting. A red indicator is used to indicate min max level of liquid inside the tank. A transparent UV protected screen upon which a metal protection cap is provided & min max levels are printed on the cap. The length of float arm is fixed & should be provided while ordering. This device don't have any electrical contacts.

5.0 SPECIFICATIONS :

Operating Temperature :

-10°C to +115°C of oil.

Environment :

Indoor & outdoor.

Liquid in tank :

Compatible with transformer or any other oil.

Mounting :

To mount the indicator, buyer is required to provide a pad as per Fig.3.

Float and Arm :

Float material : Nytrophyl
 Arm material : Stainless steel
 Arm Length : Fixed float arm length, Max 200mm.
 (Should be specified while ordering)

6.0 ROUTINE TESTS

Each indicator is tested for,

1. Calibration.
2. Leakage Test.

A combined test certificate is issued for each batch.

7.0 HOW TO ORDER :

Specify float arm length while ordering. Refer **FIG.2**.

Eg: OLI-VI-25-PC with 100mm FAL

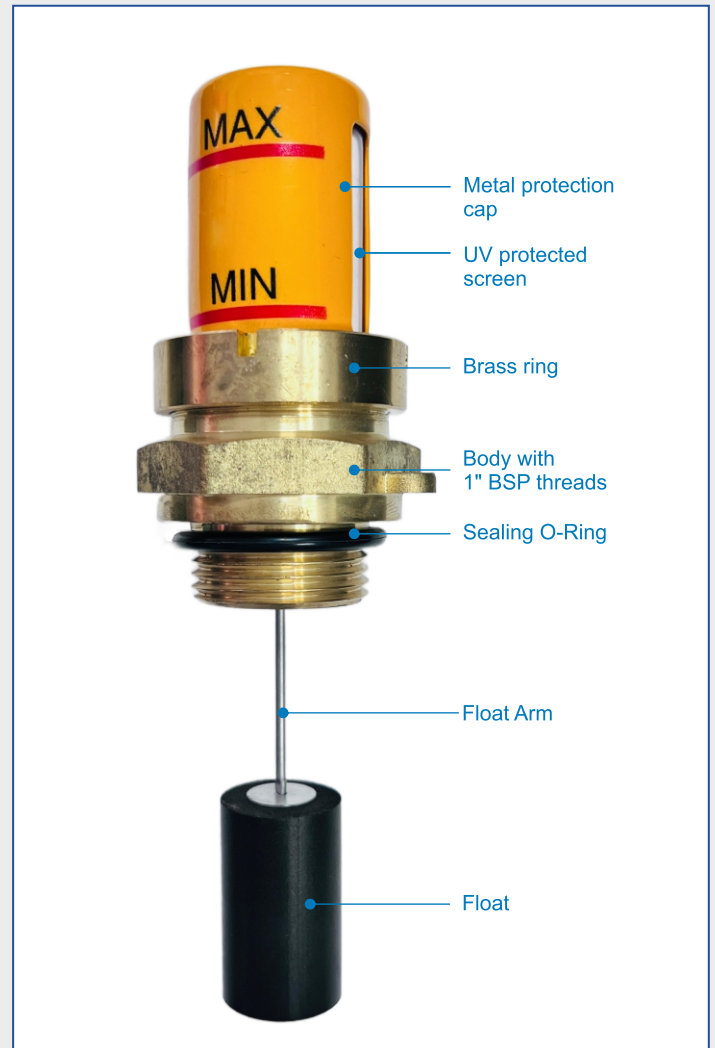
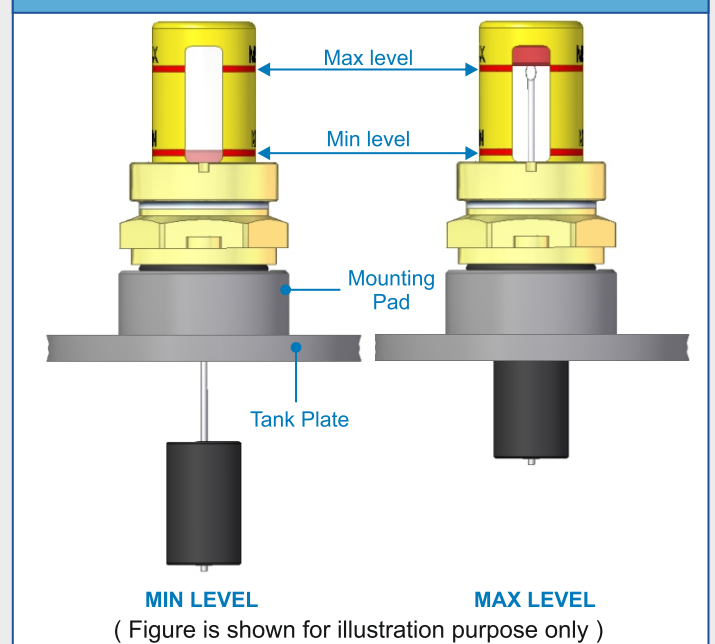
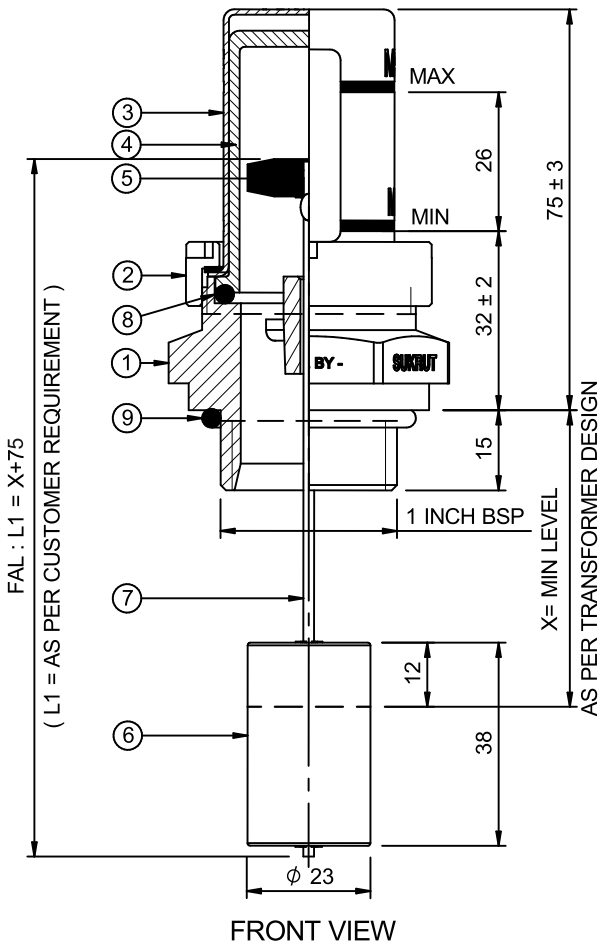
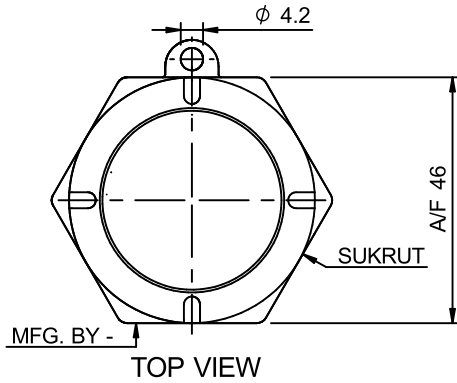


FIG.1: MIN MAX LEVEL INDICATION



OIL LEVEL INDICATOR MODEL : OLI-VI-25-PC

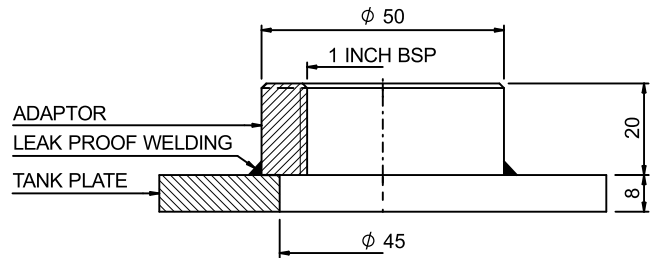
FIG.2: OLI-VI-25-PC



PART LIST FOR FIG:1

S/N	DESCRIPTION	MATERIAL	QTY
1.	BODY	BRASS	1
2.	BRASS RING	BRASS	1
3.	SCREEN	U.V POLYCARBONATE	1
4.	RED INDICATOR	NYLON 6	1
5.	FLOAT	NITROPHYL	1
6.	FLOAT ARM	S.S 304	1
7.	SEALING O-RING	NBR	1
8.	BOTTOM O-RING	NBR	1

FIG.3: MOUNTING PAD



MOUNTING PAD & GASKET ARE NOT SUPPLIED BY SUKRUT

GENERAL NOTES :

1. Indicators of different specifications are not interchangeable. Hence the indicators should be stored with care.
2. Indicator should be handled carefully as they cannot be repaired if damaged.
3. This indicator does not have any electrical contacts.
4. This indicator is only intended to function when mounted vertically.



SUKRUT ELECTRIC CO. PVT. LTD.

Plot No. Pap-B-63, MIDC Chakan Industrial Area Phase - II, Village Bhamboli, Taluka Khed District Pune 410 501, Maharashtra, India.

Mobile : +91 75077 78841 / 75077 78842

Email : marketing@sukrutelectric.com

Web : www.sukrutelectric.com

